



Pionnier Terracotta India Pvt Ltd
Kundapura, Karnataka

Product : Rooftile -Marseille HERMETIC

Material : Clay (Terracotta)

Profile : Marseille (low-profile)

Size : 420 mm X 261 mm

Linear cover : 223 mm

Category Class : Class AA (IS 654 :1992)

Unit weight : \approx 2.75 kg

Weight/1000 units : 2.8 Tonnes

Bulk Volume/ 1000 units : 3.4 cum

No of tiles per m² : 13 Pcs

(For 100 sqft 120 Pcs)

Weight per m² (Dry Stage) : 35 to 40 kg

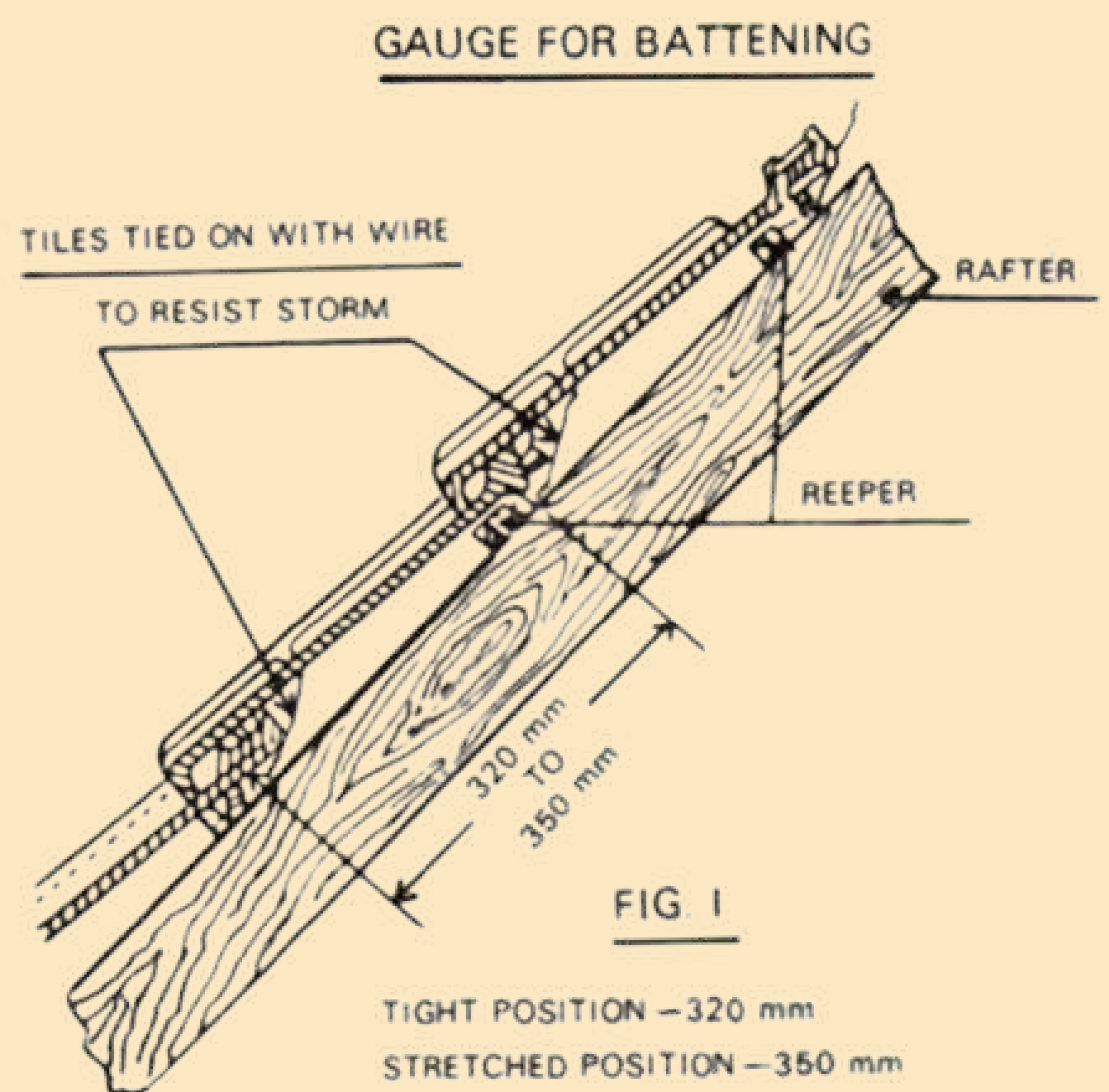
Laying : Broken bond from right to left

Minimal Slope* : 35 degrees

Reaper Spacing : 320 mm to 350 mm

Water absorption : Less than 18 % (IS 654 :1992)

Colour ** : Natural Terracotta (Kundapura Clay)





Pionnier Terracotta India Pvt Ltd
Kundapura, Karnataka

Product : Rooftile -Marseille HERMETIC

Material : Clay (Terracotta)

Profile : Marseille (low-profile)

Size : 420 mm X 261 mm

Linear cover : 223 mm

Category Class : Class AA (IS 654 :1992)

Unit weight : \approx 2.75 kg

Weight/1000 units : 2.8 Tonnes

Bulk Volume/ 1000 units : 3.4 cum

No of tiles per m² : 13 Pcs

(For 100 sqft 120 Pcs)

Weight per m² (Dry Stage) : 35 to 40 kg

Laying : Broken bond from right to left

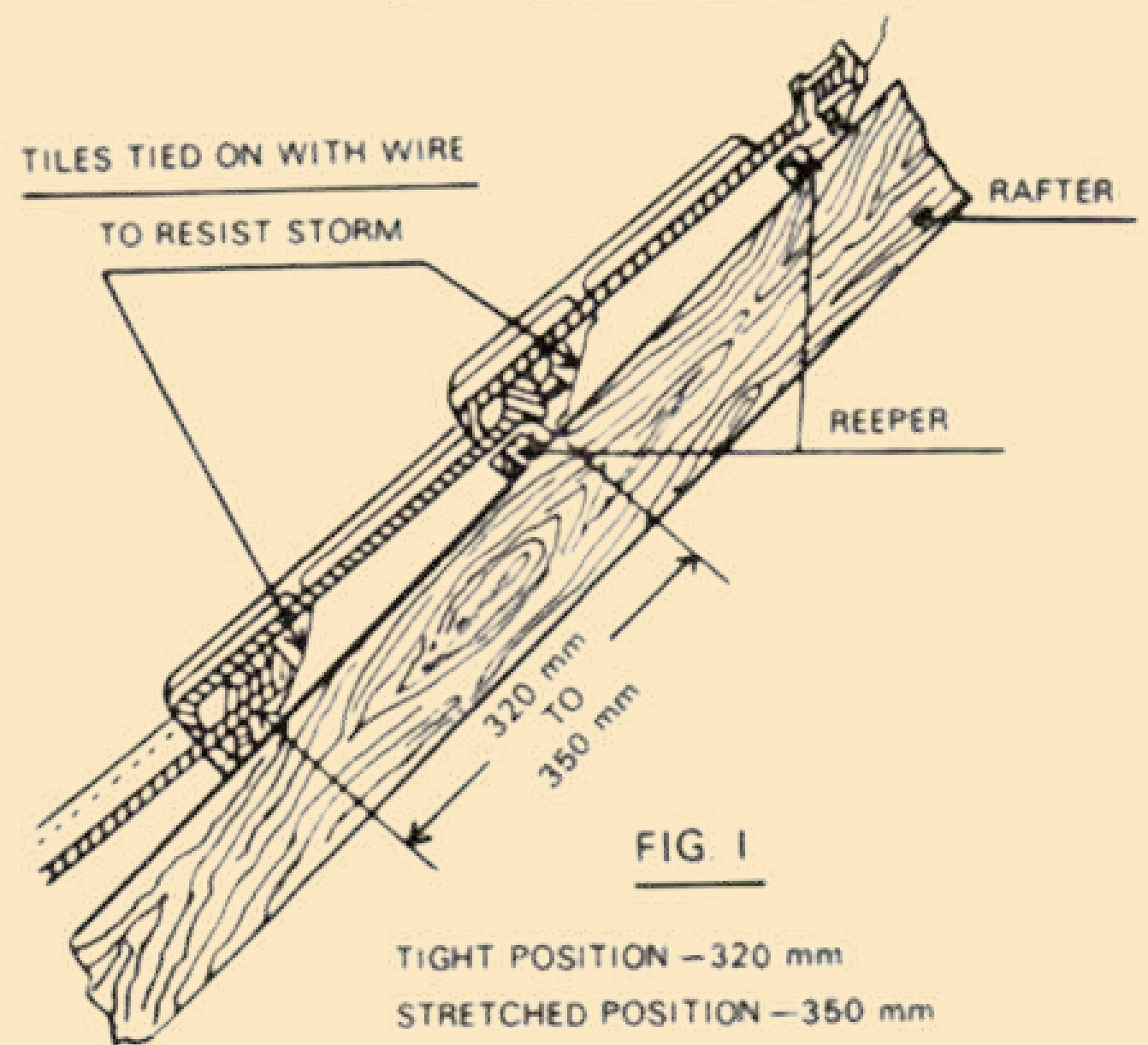
Minimal Slope* : 35 degrees

Reaper Spacing : 320 mm to 350 mm

Water absorption : Less than 18 % (IS 654 :1992)

Colour ** : Natural Terracotta (Kundapura Clay)

GAUGE FOR BATTENING



VENT TILE

SKYLIGHT TILE

RIDGE TILE

MARSEILLE HERMETIC